

ST SUPER THERMOCOUPLES      MODEL SST-910F

**\*GENERAL SPECIFICATION**

- PROBE TYPE      SUPER SHEATHED TYPE
- TERMINAL HEAD    EXPLOSION PROOF TYPE (ExdIICT6)
- MATERIAL            ALUMINUM ALLOY
- SURFACE COLOR    METALLIC SILVER
- TERMINAL BLOCK   PHENOL RESIN
- MOUNTING TYPE    ADJUSTABLE FLANGE

**\*ORDER SPECIFICATION**

ELEMENT

① CALIBRATION

1. N       2. K

② GRADE

1. CLASS 1                       2. CLASS 2  
 3. CLASS 3                       4. OTHER [                      ]

③ NUMBER OF ELEMENT WIRE

1. 2-WIRE [SINGLE]       2. 4-WIRE [DUAL]

④ TYPE OF HOT JUNCTION

1. GROUNDED TYPE  
 2. UNGROUNDED TYPE  
 3. EXPOSED TYPE

SHEATHED TUBE

⑤ MATERIAL

1. SUPPER ALLOY       2. OTHER [                      ]

⑥ OUT DIA (∅D)

1. 0.25       2. 0.5       3. 1.0       4. 1.6  
 5. 2.3       6. 3.2       7. 4.8       8. 6.4  
 9. 8.0       10. OTHER [                      ]

⑦ LENGTH (L)

- \_\_\_\_\_ mm

MOUNTING

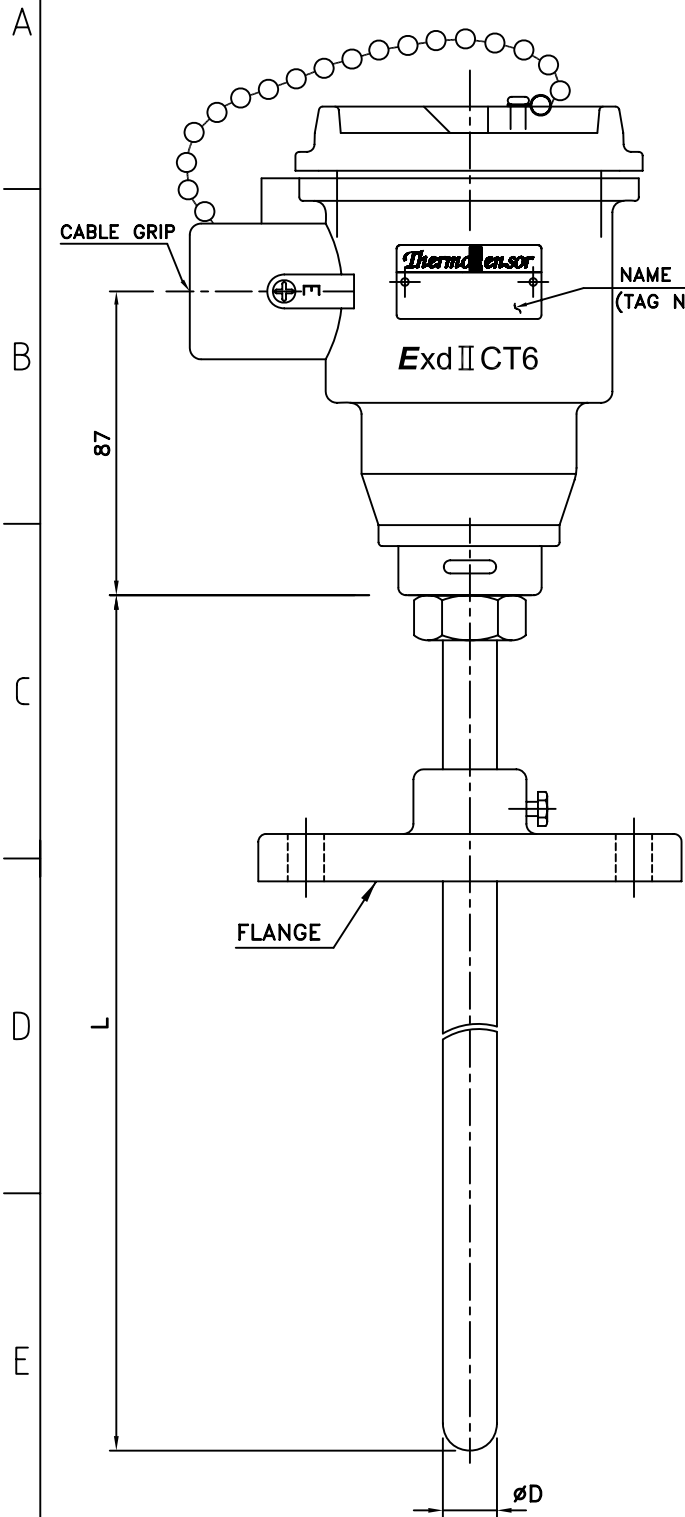
⑧ FLANGE SIZE

- \_\_\_\_\_

⑨ FLANGE MATERIAL

- 1.SUS304       2.SUS316       3.OTHER [                      ]

SPECIAL REQUIREMENT



5					CUSTOMER	Design	Scale	N.S
4						Checked	Wt Est - kg	<input type="checkbox"/>
3				Approved		Date		
2				TITLE				
1				MODEL				
Item	Part Name	Material	Q'ty	Remark				